


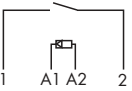

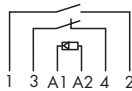
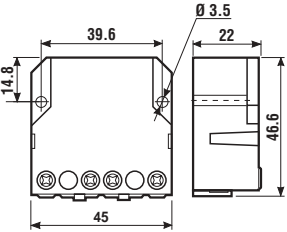
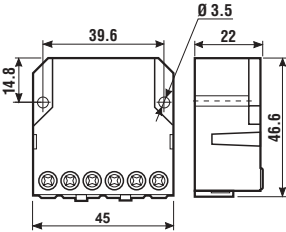
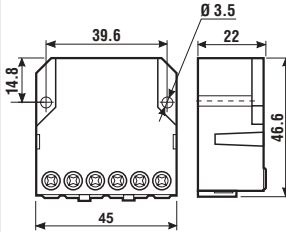





- Screw terminal connections
- AC coil
- Panel mount

	26.01	26.02, 04, 06, 08	26.03
			
	- Single phase switch 1 NO (SPST-NO)	- Double phase switch 2 NO (DPST-NO)	- 1 NO + 1 NC (SPST-NO + SPST-NC)
	 26.01	 26.02 26.04 26.06 26.08	 26.03
			
<b>Contact specifications</b>			
Number of contacts	1 NO (SPST-NO)	2 NO (DPST-NO)	1NO+1NC (SPST-NO+SPST-NC)
Rated current/Max. peak current	A 10/20	10/20	10/20
Rated voltage/Max. switching voltage	V AC 250/400	250/400	250/400
Rated load in AC1	VA 2,500	2,500	2,500
Rated load in AC15 (230 V AC)	VA 500	500	500
Nominal lamp rating: incandescent (230 V)	W 800	800	800
compensated fluorescent (230 V)	W 360	360	360
uncompensated fluorescent (230 V)	W 500	500	500
halogen (230 V)	W 800	800	800
Minimum switching load	mW (V/mA) 1,000 (10/10)	1,000 (10/10)	1,000 (10/10)
Standard contact material	AgNi	AgNi	AgNi
<b>Coil specifications</b>			
Nominal voltage	V AC (50 Hz) 12 - 24 - 48 - 110 - 230	12 - 24 - 48 - 110 - 230	12 - 24 - 48 - 110 - 230
	V DC —	—	—
Rated power AC/DC	VA (50 Hz)/W 4.5/—	4.5/—	4.5/—
Operating range	AC (50 Hz) (0.8...1.1)U <sub>N</sub>	(0.8...1.1)U <sub>N</sub>	(0.8...1.1)U <sub>N</sub>
	DC —	—	—
<b>Technical data</b>			
Mechanical life	cycles 300 · 10 <sup>3</sup>	300 · 10 <sup>3</sup>	300 · 10 <sup>3</sup>
Electrical life at rated load in AC1	cycles 100 · 10 <sup>3</sup>	100 · 10 <sup>3</sup>	100 · 10 <sup>3</sup>
Minimum/Maximum impulse duration	0.1s/1h (according to EN 60669)	0.1s/1h (according to EN 60669)	0.1s/1h (according to EN 60669)
Insulation between coil and contacts (1.2/50 μs)	kV 4	4	4
Ambient temperature range	°C -40...+40	-40...+40	-40...+40
Protection category	IP 20	IP 20	IP 20
<b>Approvals</b> (according to type):		 	

## ORDERING INFORMATION

Example: a 26 series screw terminal mount relay with double phase switch 2 NO (DPST-NO) 10 A contacts, with coil rated at 12 V AC.

**2 6 . 0 2 . 8 . 0 1 2 . 0 0 0 0**

**Series** \_\_\_\_\_

**Type** \_\_\_\_\_

0 = Screw terminal

**No. of poles** \_\_\_\_\_

- 1 = Single phase switch 1 NO (SPST-NO)
- 2 = Double phase switch 2 NO (DPST-NO)
- 3 = Double phase switch 1 NO + 1 NC (SPST-NO + SPST-NC)
- 4 = 4 sequences double phase switch 2 NO (DPST-NO)
- 6 = 3 sequences double phase switch 2 NO (DPST-NO)
- 8 = 4 sequences double phase switch 2 NO (DPST-NO)

**Coil voltage**  
see coil specifications

**Coil version**  
8 = AC (50 Hz)

## TECHNICAL DATA

### INSULATION

Dielectric strength			
- between supply and contacts	V AC	3,500	
- between open contacts	V AC	2,000	
- between adjacent contacts	V AC	2,000	

### OTHER DATA

**26.01, 26.03, 26.08**

**26.02, 26.04, 26.06**

Power lost to the environment with rated current and coil deenergised	W	0.9	1.8		
Max wire size		solid cable	stranded cable	solid cable	stranded cable
	mm <sup>2</sup>	1x4 / 2x2.5	1x2.5 / 2x2.5	1x4 / 2x2.5	1x2.5 / 2x2.5
	AWG	1x12 / 2x14	1x14 / 2x14	1x12 / 2x14	1x14 / 2x14
Screw torque	Nm	0.8	0.8		

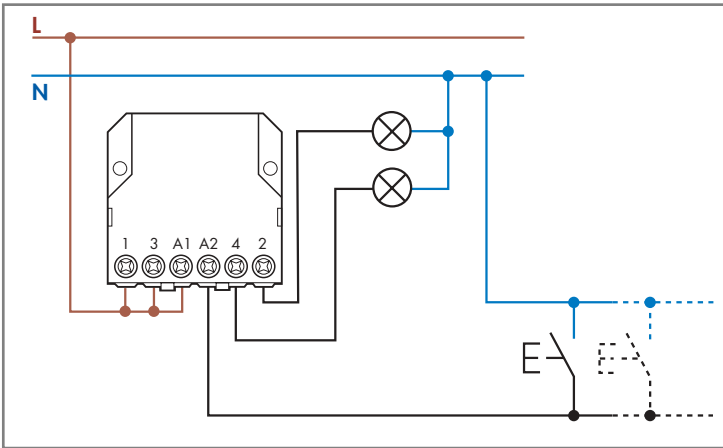
## COIL SPECIFICATIONS

### AC VERSION DATA

Nominal voltage $U_N$ V	Coil code	Operating range		Resistance R $\Omega$	Consumption I at $U_N$ (50 Hz) mA
		$U_{min}$ V	$U_{max}$ V		
12	8.012	9.6	13.2	17	370
24	8.024	19.2	26.4	70	180
48	8.048	38.4	52.8	290	90
110	8.110	88	121	1,500	40
230	8.230	184	253	6,250	20

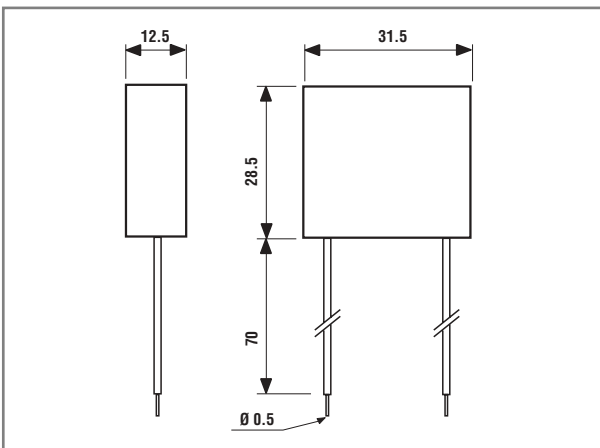
TYPE	Number of steps	SEQUENCES			
		1	2	3	4
26.01	2				
26.02	2				
26.03	2				
26.04	4				
26.06	3				
26.08	4				

## WIRING DIAGRAMS



## ACCESSORIES

### 12-24 V DC CONTROL APPLICATIONS

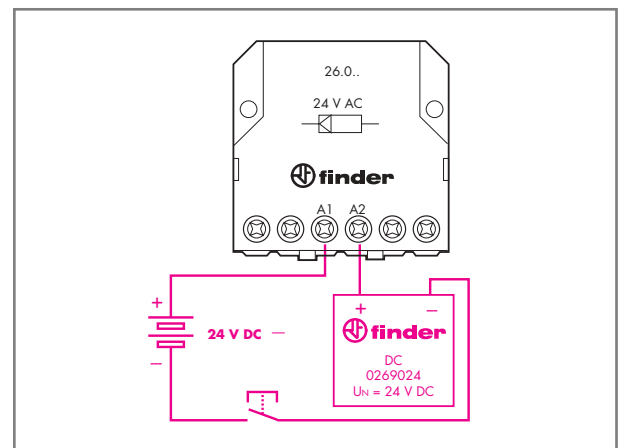


**Type: 026.9.012**

Nominal voltage: 12 V DC  
 Max temperature: + 40 °C  
 Operating range: (0.9...1.1)U<sub>N</sub>

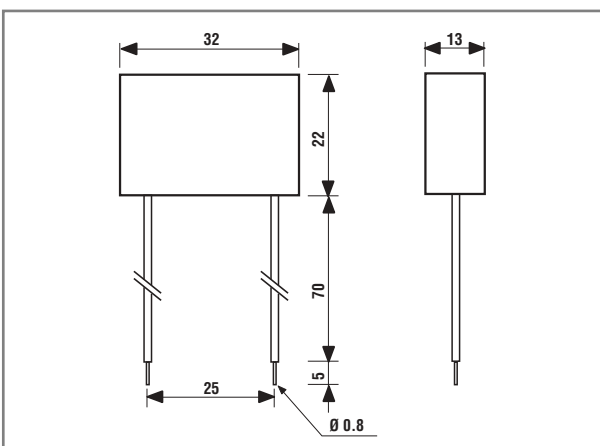
**Type: 026.9.024**

Nominal voltage: 24 V DC  
 Max temperature: + 40 °C  
 Operating range: (0.9...1.1)U<sub>N</sub>



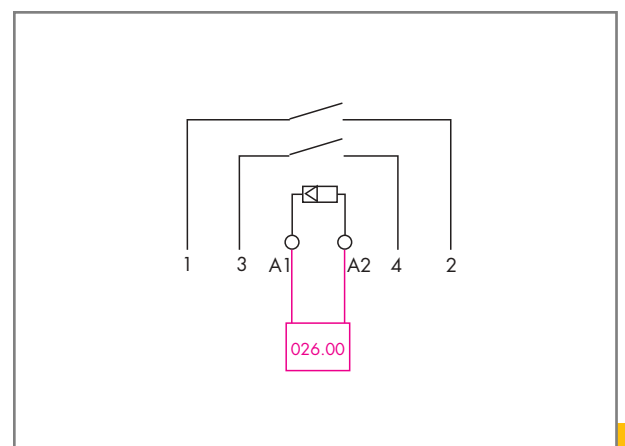
Example of wiring for 24 V DC control application.

### MODULE FOR ILLUMINATED PUSH-BUTTONS



**Type 026.00**

Sealed version, 7.5 cm insulated and flexible terminals.



**Example of wiring diagram of type 026.00**

This module is necessary if using up to a maximum of 15 illuminated pushbuttons (1.5 mA max, 230 V AC) in the switching input circuit. It must be connected in parallel to the coil of the relay (see diagram).

