

- One module (17.4 mm) wide
- Time range from 30 s to 20 min
- Can be used with illuminated push - buttons
- Suitable for 3 or 4 wiring systems
- LED indicators
- 35 mm rail (EN 50022) mount

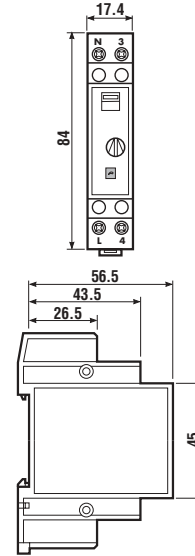
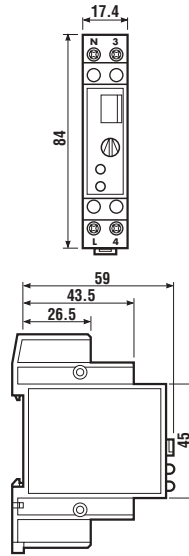
14.01

14.71



- Multi-function
- 1 NO (SPDT-NO)
- 35 mm rail mount

- For 3 or 4 wiring system
- 1 NO (SPDT-NO)
- 35 mm rail mount



Contact specifications			
Contact configuration		1 NO (SPDT-NO)	1 NO (SPDT-NO)
Rated current/Max. peak current	A	16/30 (100 A - 5 ms)	16/30 (100 A - 5 ms)
Rated voltage/Max. switching voltage	V AC	230/—	230/—
Rated load in AC1	VA	3,700	3,700
Rated load in AC15 (230 V AC)	VA	750	750
Nominal lamp rating: incandescent (230 V)	W	2,000	2,000
compensated fluorescent (230 V)	W	750	750
uncompensated fluorescent (230 V)	W	1,000	1,000
halogen (230 V)	W	2,000	2,000
Minimum switching load	mW (V/mA)	1,000 (10/10)	1,000 (10/10)
Standard contact material		AgSnO ₂	AgSnO ₂
Supply specifications			
Nominal voltage	V AC (50/60 Hz)	230	230
	V DC	—	—
Rated power AC/DC	VA (50 Hz)/W	2/—	1.5/—
Operating range	AC (50 Hz)	(0.8...1.1)U _N	(0.8...1.1)U _N
	DC	—	—
Technical data			
Electrical life at rated load in AC1	cycles	100 · 10 ³	100 · 10 ³
Delay setting	min	0.5...20	0.5...20
Max no. of illuminated push-button (≤ 1 mA)		15	30
Maximum impulse duration		continuous	continuous
Ambient temperature range	°C	-10...+50	-10...+60
Protection category		IP 20	IP 20
Approvals (according to type):		GOST	

ORDERING INFORMATION

Example: a 14 series single module relay with a single phase switch 1 NO (SPDT-NO) 16 A contact, with supply rated at 230 V AC.

1 4 . 0 1 . 8 . 2 3 0 . 0 0 0 0

Series _____
Type _____
 0 = 35 mm rail (EN 50022) mount, multi-function
 7 = 35 mm rail (EN 50022) mount
No. of poles _____
 1 = Single phase switch, 16 A

Supply voltage
 230 = 230 V
Supply version
 8 = AC (50/60 Hz)

TECHNICAL DATA

INSULATION

	14.01	14.71
Dielectric strength - between open contacts	V AC 1,000	1,000

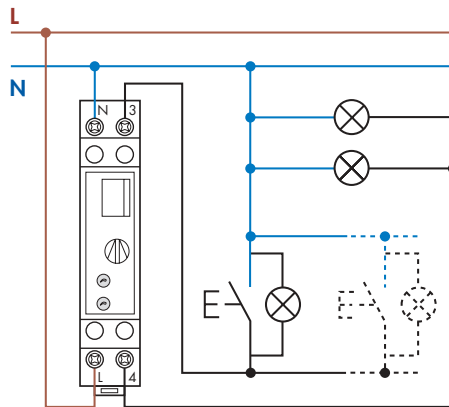
OTHER DATA

	14.01		14.71	
Power lost to the environment				
- without contact current	W 1.3		1	
- with rated current	W 3.3		3.3	
Max wire size	solid cable	stranded cable	solid cable	stranded cable
	mm ² 1x6 / 2x4	1x4 / 2x2.5	1x6 / 2x4	1x4 / 2x2.5
	AWG 1x10 / 2x12	1x12 / 2x14	1x10 / 2x12	1x12 / 2x14
Screw torque	Nm 0.8		0.8	

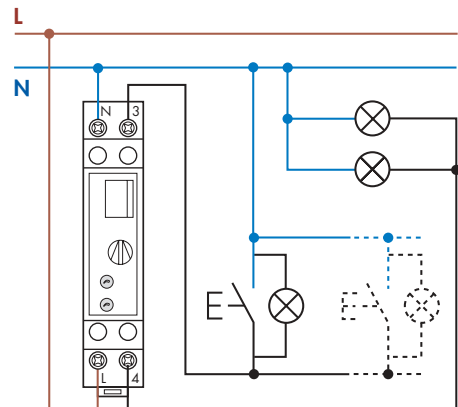
WIRING DIAGRAMS

Type 14.01

LED indication:
 red = relay ON
 green = power ON



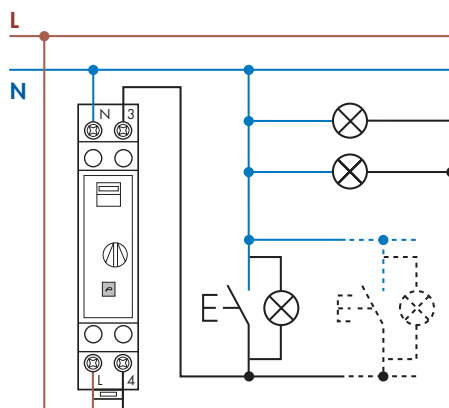
3 wire connection



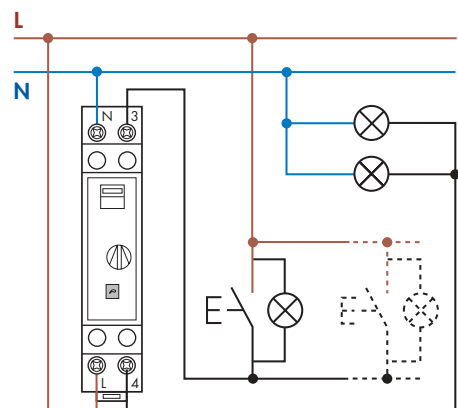
4 wire connection

Type 14.71

LED indication:
 red = relay ON



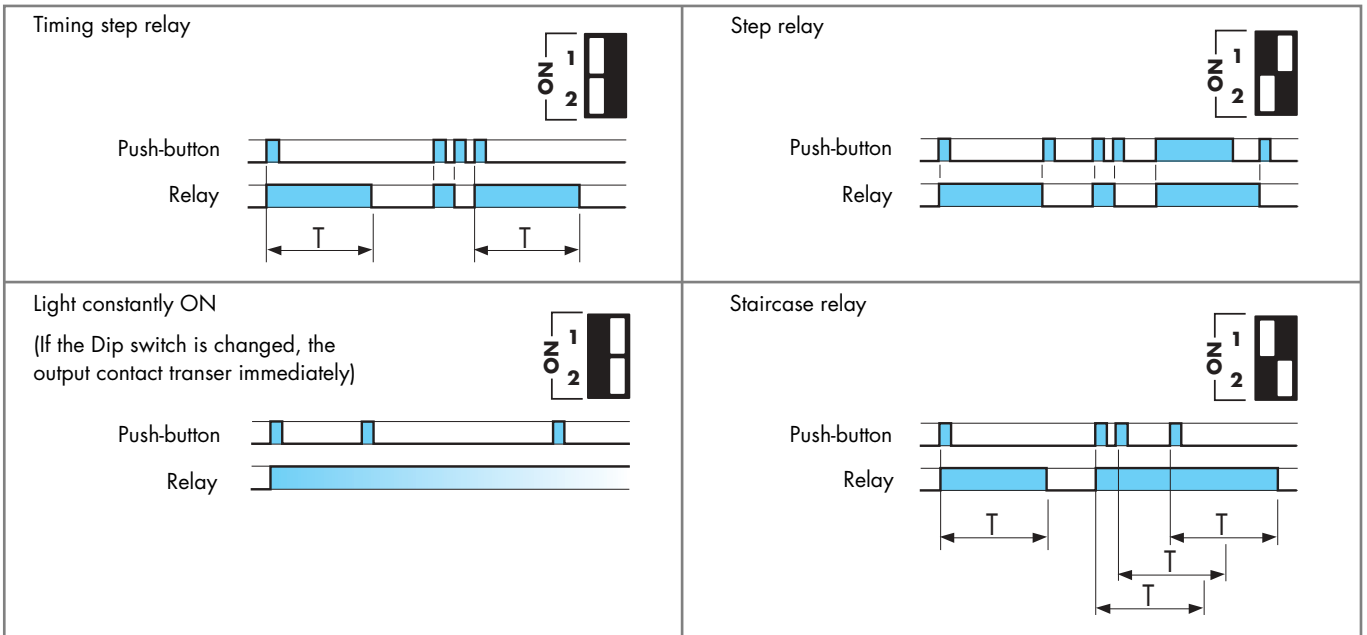
3 wire connection



4 wire connection

FUNCTIONS

Type 14.01.8.230 The following functions are selected by means of a DIP SWITCH:



Type 14.71.8.230 The following functions are selected by means of a SELECTOR SWITCH:

